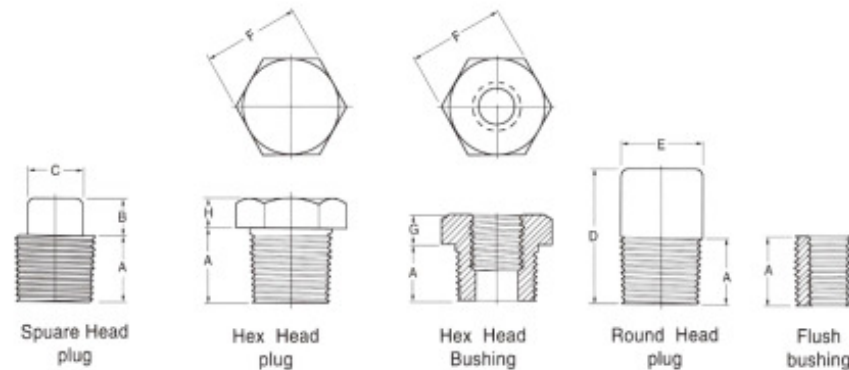


**Plugs and Bushings**



**ASME B6.11**

| Nominal Pipe Size |         | Min. Length, A | Square Head Plugs     |                     | Round Head Plugs         |                | Hex Plugs & Bushings   |                 |    |
|-------------------|---------|----------------|-----------------------|---------------------|--------------------------|----------------|------------------------|-----------------|----|
|                   |         |                | Min. Square Height, B | Min. Width Flats, C | Nominal Head Diameter, E | Min. Length, D | Nominal Width Flats, E | Min. Hex Height |    |
| Bushing, G        | Plug, H |                |                       |                     |                          |                |                        |                 |    |
| DN                | NPS     |                |                       |                     |                          |                |                        |                 |    |
| 6                 | 1/8"    | 10             | 6                     | 7                   | 10                       | 35             | 11                     | —               | 6  |
| 8                 | 1/4"    | 11             | 6                     | 10                  | 14                       | 41             | 16                     | 3               | 6  |
| 10                | 3/8"    | 13             | 8                     | 11                  | 18                       | 41             | 18                     | 4               | 8  |
| 15                | 1/2"    | 14             | 10                    | 14                  | 21                       | 44             | 22                     | 5               | 8  |
| 20                | 3/4"    | 16             | 11                    | 16                  | 27                       | 44             | 27                     | 6               | 10 |
| 25                | 1"      | 19             | 13                    | 21                  | 33                       | 51             | 36                     | 6               | 10 |
| 32                | 1-1/4"  | 21             | 14                    | 24                  | 43                       | 51             | 46                     | 7               | 14 |
| 40                | 1-1/2"  | 21             | 16                    | 28                  | 48                       | 51             | 50                     | 8               | 16 |
| 50                | 2"      | 22             | 18                    | 32                  | 60                       | 64             | 65                     | 9               | 18 |
| 65                | 2-1/2"  | 27             | 19                    | 36                  | 73                       | 70             | 75                     | 10              | 19 |
| 80                | 3"      | 28             | 21                    | 41                  | 89                       | 70             | 90                     | 10              | 21 |
| 100               | 4"      | 32             | 25                    | 65                  | 114                      | 76             | 115                    | 13              | 25 |

Note:

- All dimensions are in millimeters
- Cautionary Note Regarding Hex Bushing: Hex head bushings of one-size reduction should not be used in services where they might be subject to harmful loads and forces other than internal pressures