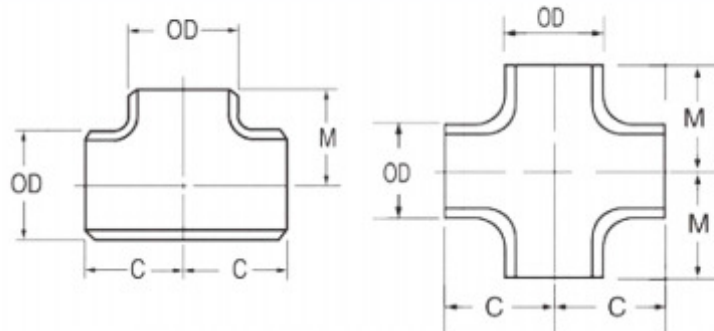


SPECIFICATION

Straight Tees and Crosses

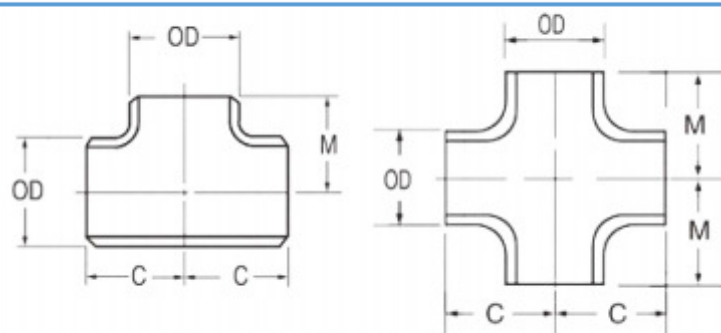


ASME/ANSI B16.9

Nominal Pipe Size		Outside Diameter at Bevel, OD	Center-to-End	
DN	NPS		Run, C	Outlet, M
15	1/2"	21.3	25	25
20	3/4"	26.7	29	29
25	1"	33.4	38	38
32	1-1/4"	42.2	48	48
40	1-1/2"	48.3	57	57
50	2"	60.3	64	64
65	2-1/2"	73	76	76
80	3"	88.9	86	86
90	3-1/2"	101.6	95	95
100	4"	114.3	105	105
125	5"	141.3	124	124
150	6"	168.3	143	143
200	8"	219.1	178	178
250	10"	273	216	216
300	12"	323.8	254	254
350	14"	355.6	279	279
400	16"	406.4	305	305
450	18"	457	343	343
500	20"	508	381	381
550	22"	559	419	419
600	24"	610	432	432

SPECIFICATION

Straight Tees and Crosses



ASME/ANSI B16.9

Nominal Pipe Size		Outside Diameter at Bevel, OD	Center-to-End	
DN	NPS		Run, C	Outlet, M
650	26"	660	495	495
700	28"	711	521	521
750	30"	762	559	559
800	32"	813	597	597
850	34"	864	635	635
900	36"	914	673	673
950	38"	965	711	711
1000	40"	1016	749	749
1050	42"	1067	762	711
1100	44"	1118	813	762
1150	46"	1168	851	800
1200	48"	1219	889	838

Note:

- All dimensions are in millimeters
- Outlet dimension M for NPS 26 and larger is recommended but not required
- Dimension is applicable to crosses NPS 24 and smaller