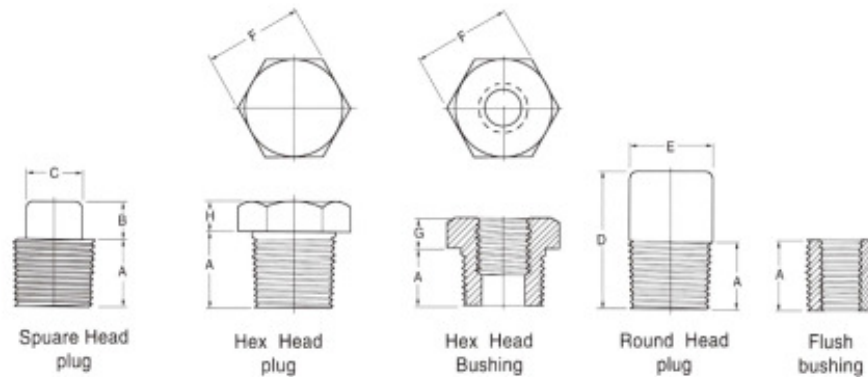


Plugs and Bushings



ASME B6.11

Nominal Pipe Size		Min. Length, A	Square Head Plugs		Round Head Plugs		Hex Plugs & Bushings		
			Min. Square Height, B	Min. Width Flats, C	Nominal Head Diameter, E	Min. Length, D	Nominal Width Flats, E	Min. Hex Height	
Bushing, G	Plug, H								
DN	NPS								
6	1/8"	10	6	7	10	35	11	--	6
8	1/4"	11	6	10	14	41	16	3	6
10	3/8"	13	8	11	18	41	18	4	8
15	1/2"	14	10	14	21	44	22	5	8
20	3/4"	16	11	16	27	44	27	6	10
25	1"	19	13	21	33	51	36	6	10
32	1-1/4"	21	14	24	43	51	46	7	14
40	1-1/2"	21	16	28	48	51	50	8	16
50	2"	22	18	32	60	64	65	9	18
65	2-1/2"	27	19	36	73	70	75	10	19
80	3"	28	21	41	89	70	90	10	21
100	4"	32	25	65	114	76	115	13	25

Note:

•All dimensions are in millimeters

•Cautionary Note Regarding Hex Bushing: Hex head bushings of one-size reduction should not be used in services where they might be subject to harmful loads and forces other than internal pressures